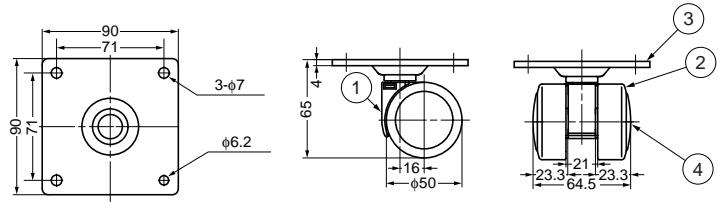


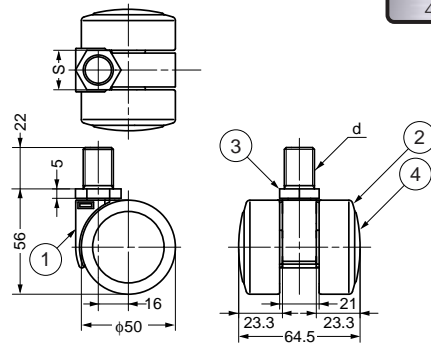
## GX-W50GP SERIES TWIN WHEEL CASTER PLATE TYPE

**LOAD CAPACITY**200kg  
441lbs

Item No.	Load Capacity (kg)	Weight (g)	Box (pcs)	Carton (pcs)
GX-W50-GP	200 (441 lbs)	420	2	40

No.	Part Name	Material	Finish
①	Body	Aluminum Alloy	Polished
②	Wheel	Polyacetal	Black
③	Threaded Bolt	Steel	Yellow Zinc
④	Cover	Polyamide	Black

## GX-W50 SERIES TWIN WHEEL CASTER THREADED BOLT TYPE

**LOAD CAPACITY**200kg  
441lbs

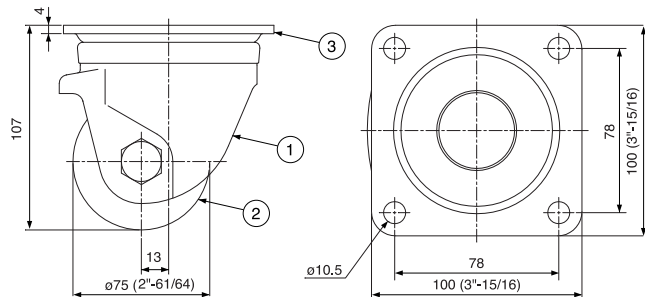
Item No.	d	S	Load Capacity (kg)	Weight (g)	Box (pcs)	Carton (pcs)
GX-W50GN12	M12x1.75	19	200 (441 lbs)	208	4	80
GX-W50GN16	M16x2	21		223		

No.	Part Name	Material	Finish
①	Body	Aluminum Alloy	Polished
②	Wheel	Polyacetal	Black
③	Threaded Bolt	Steel	Yellow Zinc
④	Cover	Polyamide	Black

## SHG-75 SERIES LOW MOUNT CASTER

**LOAD CAPACITY**510kg  
1123lbs

Static Dissipating



Item No.	Load Capacity (kg)	Weight (g)	Box (pcs)
SHG-75/MCE	510 (1123 lbs)	—	1

No.	Part Name	Material	Finish
①	Body	Steel	—
②	Wheel	MC Nylon	Blue
③	Mounting Plate	Steel	Yellow Zinc